

PRODUCT CODE: BSC1G
BALL & SOCKET COVER

DESCRIPTION

20mm Ball & Socket Cover

FINISH

Hot Dipped Galvanised

MATERIAL

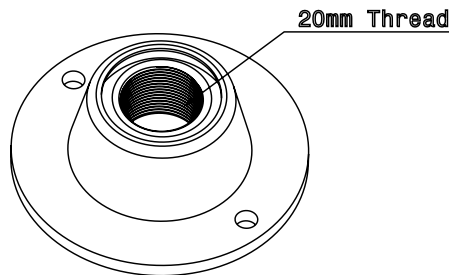
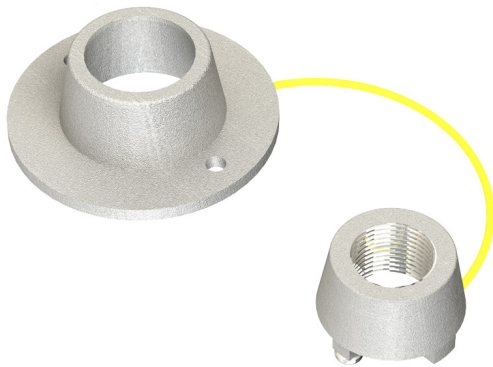
Malleable Iron

PACKAGING

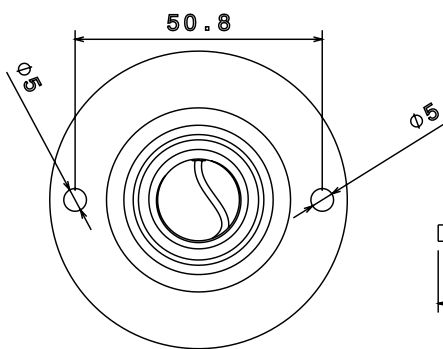
Packed in qty 20

ADDITIONAL NOTES

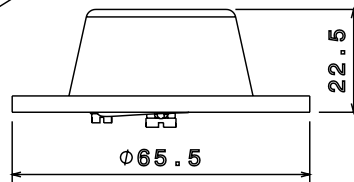
Conforms to BS EN61386-1
Comprises; body and 20mm threaded ball
Compliant to LU Standard 1-085 (for use on surface & sub-surface locations)



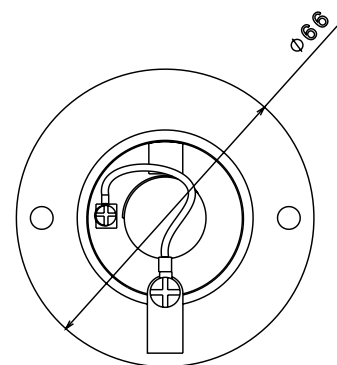
Isometric view



Top view



Side view



Bottom view